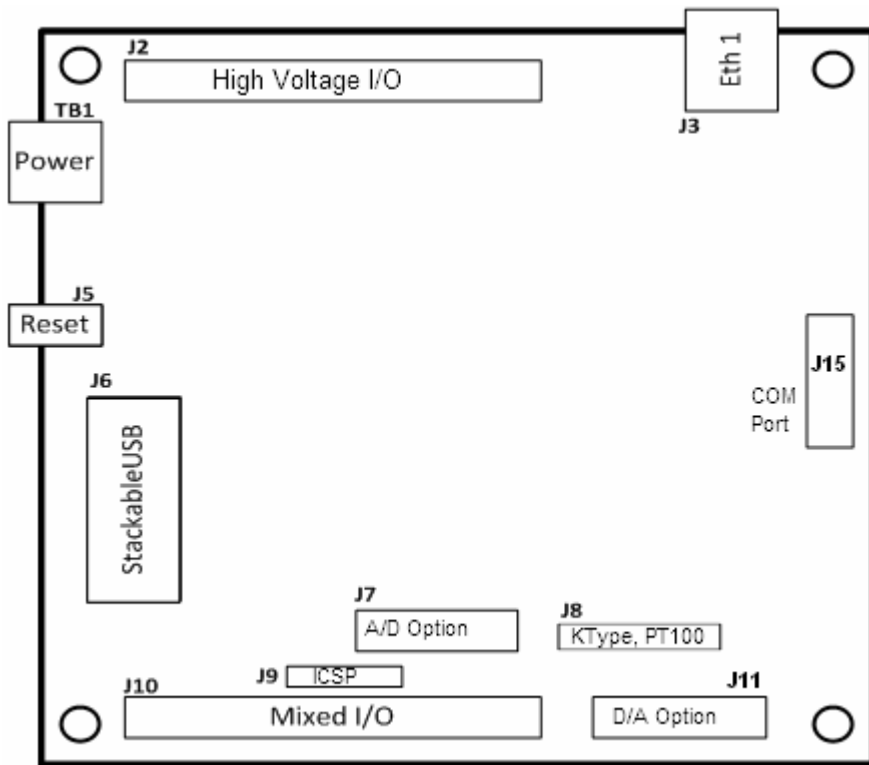


# CSUSB3031: USB3031 Complete Cable Set



(Top View)

## CS3031 Individual Cable Information

Header	I/O Function	Cable Ordering Information	Cable Components and Termination
J2, J10	Discrete I/O	<b>BA0040</b> 40-pin header to 40-pin screw terminal assembly	<b>J2&amp;J10</b> <b>BA0040</b> Ribbon Cable <b>TB50540</b> 40-pin screw terminal board
J3	Ethernet	<b>CA4133</b> Ethernet Cable	<b>J3</b> <b>CA4133</b> RJ45 Ethernet Connector
J15	COM Port	<b>CA4020</b> Breakout Cable	<b>J4</b> <b>CA4020</b> 1xDB9 Connector
J13	USB	<b>CA4136</b> MINI-AB USB OTG Connector	<b>J13</b> <b>CA4136</b> USB Cable
J8	KType, PT100	1x6 Pin Header	
J9	ICSP Programming/ Debugging	<b>CA4142</b> Programming Cable	<b>J4</b> <b>CA4142</b> ICSP Connector
TB1	Power		<b>TB1</b> <b>2-Position Screw Terminal</b> For 18AWG bare wires